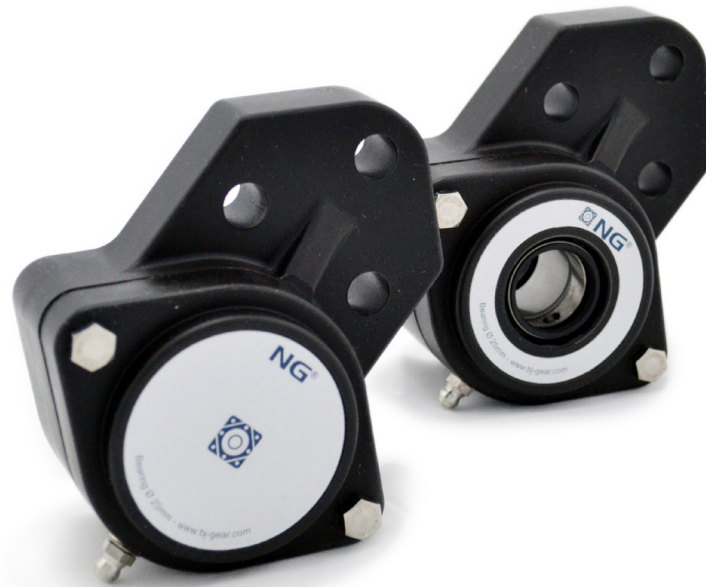
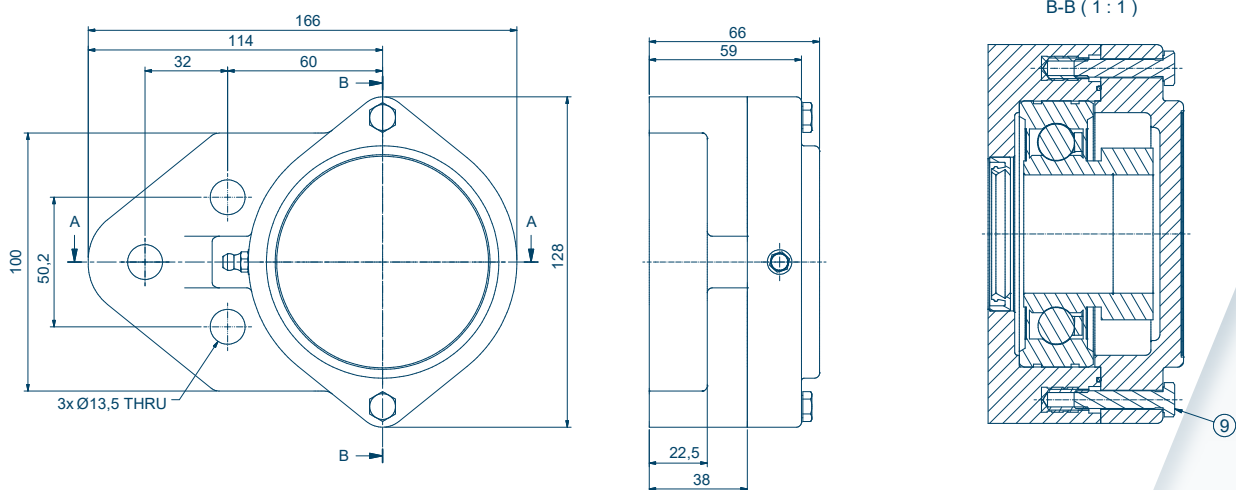


F3 - 3-bolt flange bearing units



Technical specifications & drawings



TYPE FBL	Item no. closed cover	Item no. open cover	A	B	C	D	E	F	H	S	Weight [kg]
Ø20 mm	NG20F30	NG20F31	109.2	38,1	51	93	22.5	29	42,9	11.5	0.264
Ø25 mm	NG25F30	NG25F31	123.5	41,3	52	100	22.5	30	46	11.5	0.316
Ø30 mm	NG30F30	NG30F31	140.5	47,6	58	110	22.5	34	52,4	11.5	0.437
Ø35 mm	NG35F30	NG35F31	156.5	50,2	60	118	22.5	33.5	60	13.5	0.509
Ø40 mm	NG40F30	NG40F31	166	50,8	66	128	22.5	38	60,3	13.5	0.639

All measurements are in millimeters. When ordering please use the catalogue numbers.

BJ-Gear A/S

Niels Bohrs Vej 47
DK-8660 Skanderborg
Denmark

Phone +45 87 40 80 80
Email bj@bj-gear.com
Website www.bj-gear.com